



Perma Tech, Inc.

"Your Single Source for ALL Your Loading Dock Needs"

The Ultra Dark - PS90

INSTALLATION INSTRUCTIONS

NOTE:

***CHECK SHIPPING CONTAINERS BEFORE RELEASING CARRIER.
NOTIFY CARRIER IMMEDIATELY UPON DISCOVERING ANY CONCEALED DAMAGE.***

WARNING : Do not install this product unless you have read and understand the warnings and installation instructions contained in the manual.
Failure to do so could result in serious injury or death.

SALES & SERVICE BY:



Perma Tech, Inc.

Sales@PermaTechInc.com
363 Hamburg Street, Buffalo, NY 14204
www.PermaTechInc.com

Toll Free: 800-362-7325
Local: 716-854-0707
Fax: 716-854-0774

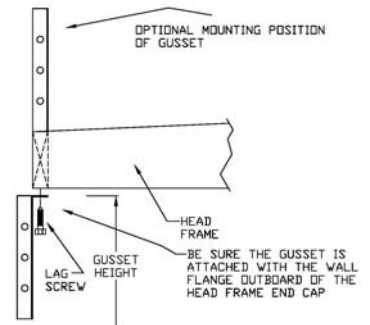
INSTALLATION INSTRUCTIONS

PERMA PS-90 SOFT SHELTER WITH RAIN DAM

NOTE: Check shipping containers before releasing carrier. Notify carrier immediately upon discovering any concealed damage.

- A. At least 4" of protective bumper is required with this unit.
- B. All pads must be mounted with air/water release grommets or screens facing down.
- C. Completed units must be caulked around the entire outside edge.

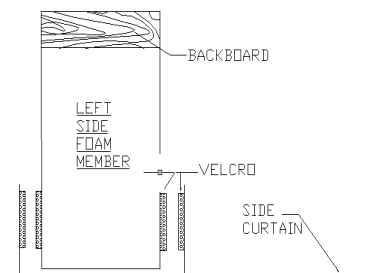
Figure 1:
Left hand
gusset



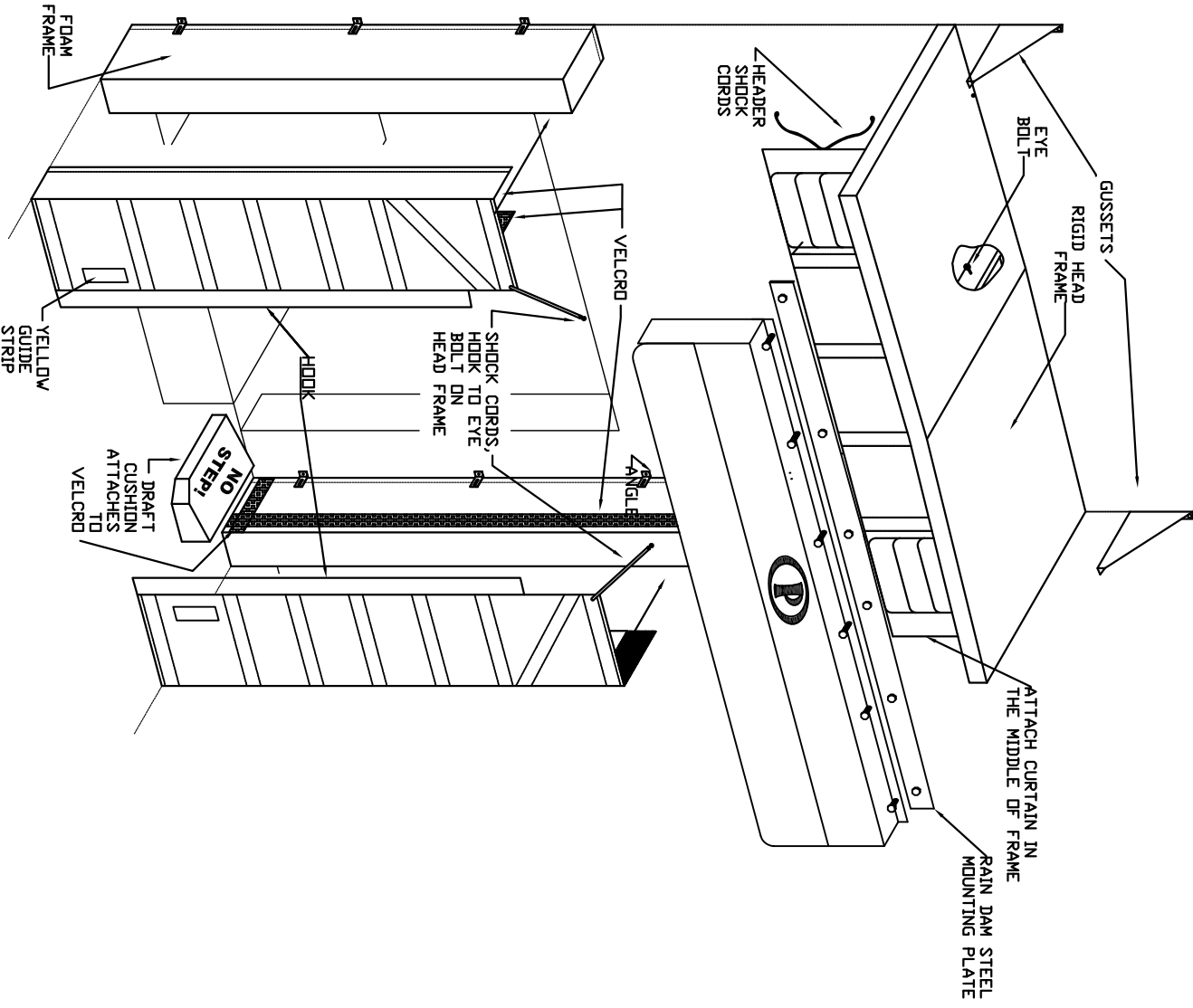
1. Find the centerline of the door opening and mark the door opening top and bottom. Use the head frame to find the unit width and mark the wall, right and left, for the correct positions of the side pads.
2. Find the side pad length. This will give you the gusset height. Mark the building wall for this height from the dock floor. If using "optional mounting" on top of head frame, side pad length will give you the bottom of the head frame height.

3. Attach the head frame gussets to the head frame as shown in Figure 1.
4. Lift the head frame in place using the marks from steps 1 & 2. Lag the gussets to the wall. Further attachments may be made by lagging through the frame into the building wall.

5. Slide the side pads under the head frame and attach to wall using the brackets provided.
6. Attach the side curtains to matching strips of Velcro on the side pads. (Figure 2). Hook the shock cords on the top of the side curtains to the eyehooks at the center of the head frame.



7. Lag the head curtain into the head frame. Hook the loose end of the shock cord to the backboards using screws and fender washers. Note: The shock cords are designed to have slack once mounted.
8. Attach the metal plate to the front of frame using 1 1/2" x 5/16" bolts.
9. Bolt the Perma Rain Dam pad to the metal plate on head frame using 3/4" x 5/16" bolts.



LIMITED PRODUCT WARRANTY

Perma Tech, Inc. warrants the material and workmanship in any product manufactured by Perma Tech, Inc. for a period of one year from the date of shipment to customer if properly installed, maintained and used. This limited warranty shall not apply in the event of misuse or modification by customer or to materials not manufactured and installed by Perma Tech, Inc.

In the event of any defects covered by this warranty, Perma Tech, Inc. will remedy such defects by repairing or replacing at its expense any defective products or, at its option, refunding the original purchase price excluding installation, freight and tax. This shall be customer's exclusive remedy for all claims whether based on warranty, contract, negligence, strict liability or other legal theory.

Written notice of any claim must be made within the warranty period by first class mail or personal delivery to a suitable person at Perma Tech's office at 363 Hamburg Street, Buffalo, New York 14204. Notice of delivery by e-mail or fax is not acceptable.

PERMA TECH, INC. EXPRESSLY DISCLAIMS AND CUSTOMER WAIVES ALL IMPLIED WARRANTIES INCLUDING WITHOUT LIMITATION, ANY IMPLIED WARRANTIES OF MERCHANTABILITY OR FITNESS FOR A PARTICULAR PURPOSE. PERMA TECH, INC. SHALL NOT IN ANY EVENT BE LIABLE FOR AND CUSTOMER WAIVES ANY INCIDENTAL, CONSEQUENTIAL OR PUNITIVE DAMAGES OF ANY KIND TO CUSTOMER OR ANY THIRD PARTY, INCLUDING WITHOUT LIMITATION DAMAGES FOR LOST PROFITS, EVEN IF ADVISED OF SAME.